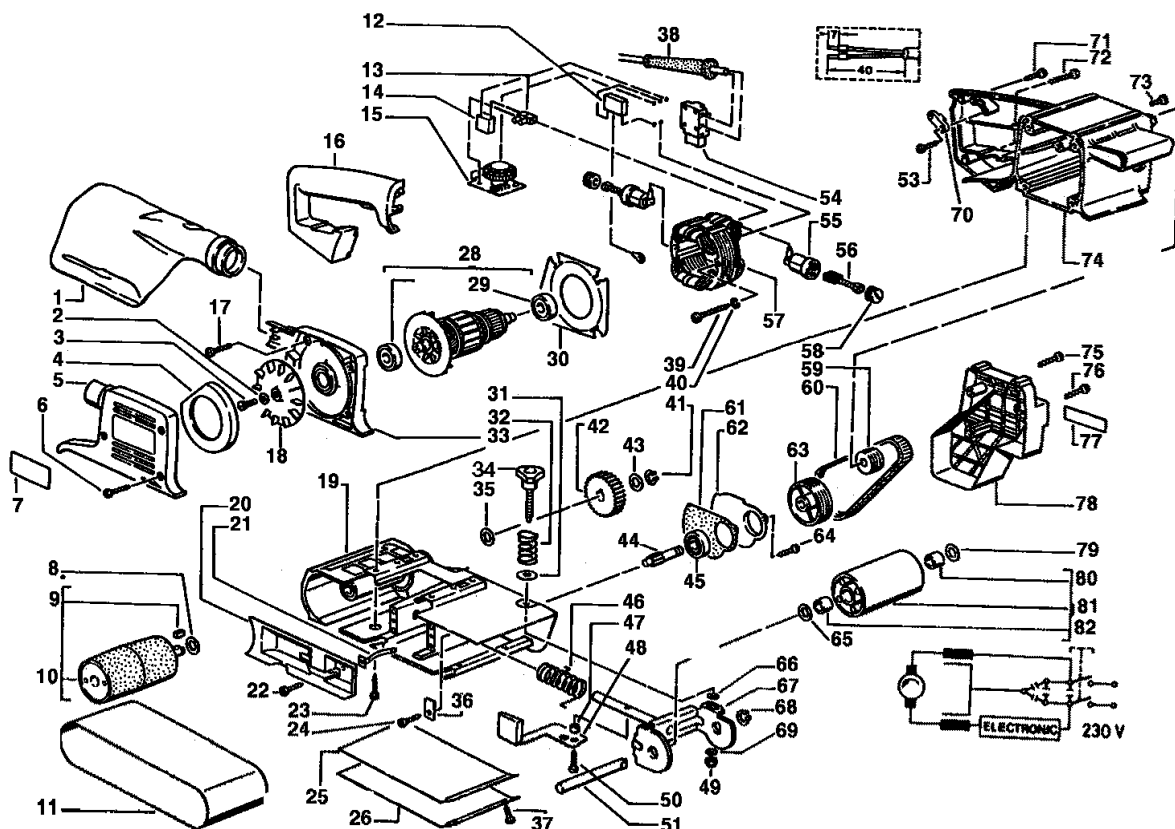


# A & M Electric Tools

# Belt Sanders

Ind	Product No.	Type	Voltage	Country	Ind	Product No.	Type	Voltage	Country
a	4000348632	BBSE100	230V	IN2					
b	4000348546	BBSE100	230V	CH2					

Atlas Copco		
<b>BBSE 100</b>		
Exp.view No.	Version	Date
4926 3485 48	0000	
		Page
		1/2



Pos	Index	Quanti	Article No.	Designation	Pos	Index	Quanti	Article No.	Designation
0001		1	4932336597	DUST BAG	0022		1	4931278750	SCREW
0002		1	4931603515	SEALING WASHER	0023		1	4931278772	SCREW
0003		1	4931278751	SCREW	0024		1	4931278750	SCREW
0004		1	4931278709	AIR DEFLECTOR RING	0025		1	4931345233	SUPP. FOR SAND BELT
0005		1	4931345217	COVER	0026		1	4931345234	SPRING PLATE
0006		1	4931278745	SCREW	0028		1	4931278689	ARMATURE
0007		1	4931348635	RATING PLATE	0029		1	4931913855	BALL BEARING
0008 a.		1	4931278754	WASHER	0030		1	4931278721	AIR DEFLECTOR RING
0008 b.		1	4931348551	RATING PLATE	0031		1	4931278771	BACKING FLANGE
0009		1	4931610418	SPRING	0032		1	4931278729	SPRING
0010		1	4931278727	DRIVING ROLL	0033		1	4931345218	BEARING END PLATE
0011		1	4932341610	CLOTH SANDING BELT	0034		1	4931336602	SCREW
0012		1	4931312112	INTERFERENCE SUPPR	0035		1	4931278754	WASHER
0013		1	49312339963	CONNECTOR	0036		1	4931278735	GUIDE FOR SANDING
0014		1	4931278773	INTERFERENCE SUPPR	0037		1	4931278750	SCREW
0015		1	4931336685	ELECTRONIC ELEMENT	0038		1	4931345223	PROTECTING COVER
0016		1	4931345221	HANDLE COVER	0039		1	4931278746	SCREW
0017		1	4931278760	SCREW	0040		1	4931615407	SPRING WASHER
0018		1	4931278719	FAN	0041		1	4931605142	RING
0019		1	4931345235	ABSOLUTE UNIT	0042		1	4931278730	GEAR
0020		1	4931345230	PROTECTIVE CAP	0043		1	4931345229	DISC
0021		1	4931278699	SPRING	0044		1	4931313801	PINION

Repairs/modification and testing of electric power tools are to be carried out by specialists. The safety regulations according to DIN/VDE/CEE/AFNOR and other regulations valid in the different countries are to be observed.

# A & M Electric Tools

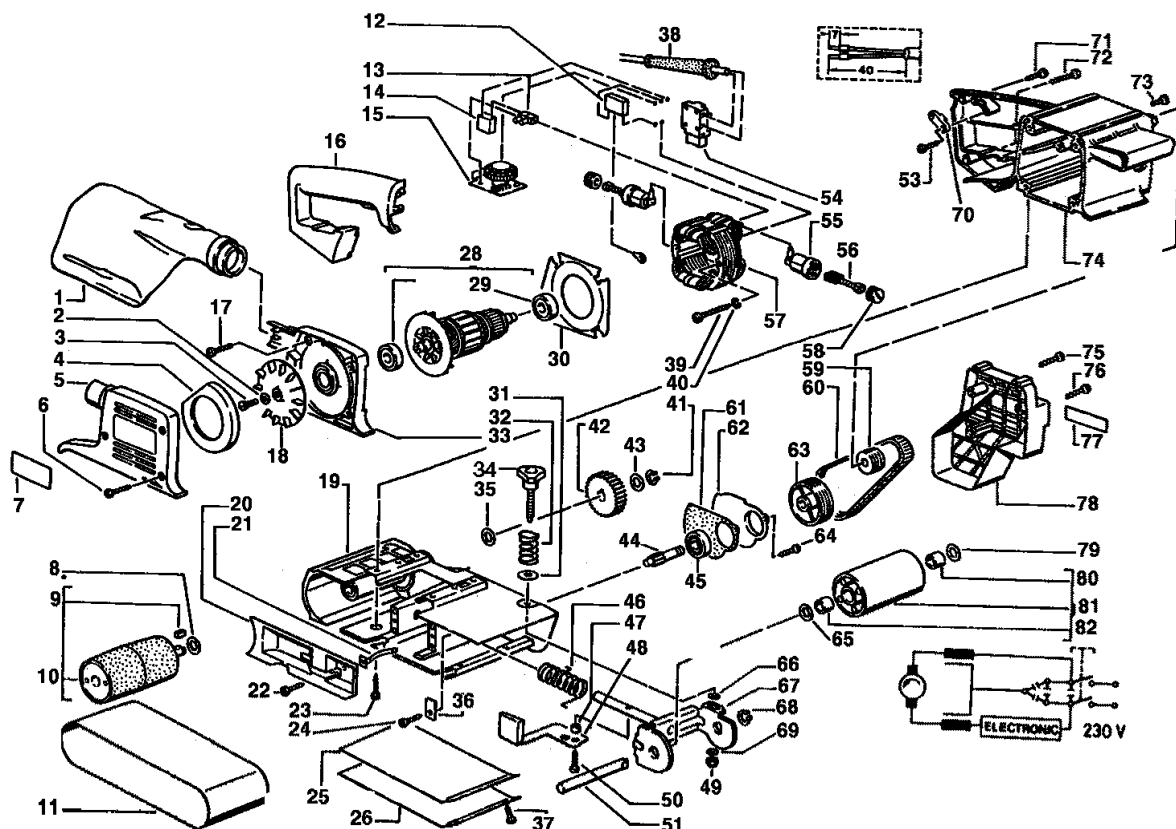
# Belt Sanders

Atlas Copco

## BBSE 100

Exp.view No.      Version      Date      Page  
**4926 3485 48      0000           2/2**

Ind	Product No.	Type	Voltage	Country	Ind	Product No.	Type	Voltage	Country
a	4000348632	BBSE100	230V	IN2					
b	4000348546	BBSE100	230V	CH2					



Pos	Index	Quanti	Article No.	Designation	Pos	Index	Quanti	Article No.	Designation
0045	.....	1	4931918146	BALL BEARING	0068	.....	1	4931605142	RING
0046	.....	1	4931278738	SPRING	0069	.....	1	4931615865	SEALING WASHER
0047	.....	1	4931278739	DISTANCE SLEEVE	0070	.....	1	4931278744	CABLE COLLAR
0048	.....	1	4931345232	TENSION LEVER	0071	.....	1	4931278747	SCREW
0049	.....	1	4931621424	NUT	0072	.....	1	4931278745	SCREW
0050	.....	1	4931278751	SCREW	0073	.....	1	4931278748	SCREW
0051	.....	1	4931278736	STEERING ROLL.AXLE	0074	.....	1	4931345224	CASING
0053	.....	1	4931278747	SCREW	0075	.....	1	4931278749	SCREW
0054	.....	1	4931336601	SWITCH	0076	.....	1	4931345225	SCREW
0055	.....	1	4931278726	BRUSH HOLDER	0077	.....	1	4931355134	DATA PLATE
0056	.....	1	4931278702	CARBON BRUSH	0078	.....	1	4931278707	HOUSING COVER
0057	.....	1	4931278688	ELECTRIC FIELD	0079	.....	1	4931278754	WASHER
0058	.....	1	4931278725	BRUSH HOLDER CAP	0080	.....	1	4931278756	BEARING SLEEVE
0059	.....	1	4931278723	PULLEY	0081	.....	1	4931278741	STEERING ROLLER
0060	.....	1	4931278724	TOOTHED BELT	0082	.....	1	4931278756	BEARING SLEEVE
0061	.....	1	4931278770	GASKET					
0062	.....	1	4931278732	GEAR BOX COVER					
0063	.....	1	4931278733	PULLEY					
0064	.....	1	4931278750	SCREW					
0065	.....	1	4931278754	WASHER					
0066	.....	1	4931615675	SEALING WASHER					
0067	.....	1	4931345231	STEERING ROLL.SUPP					

Repairs/modification and testing of electric power tools are to be carried out by specialists. The safety regulations according to DIN/VDE/CEE/AFNOR and other regulations valid in the different countries are to be observed.